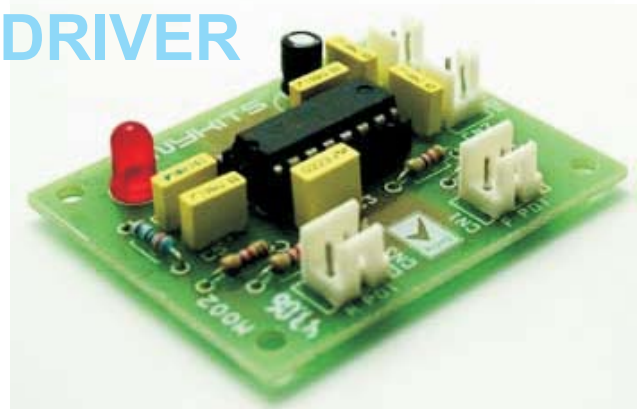


# BUILD SMARTER

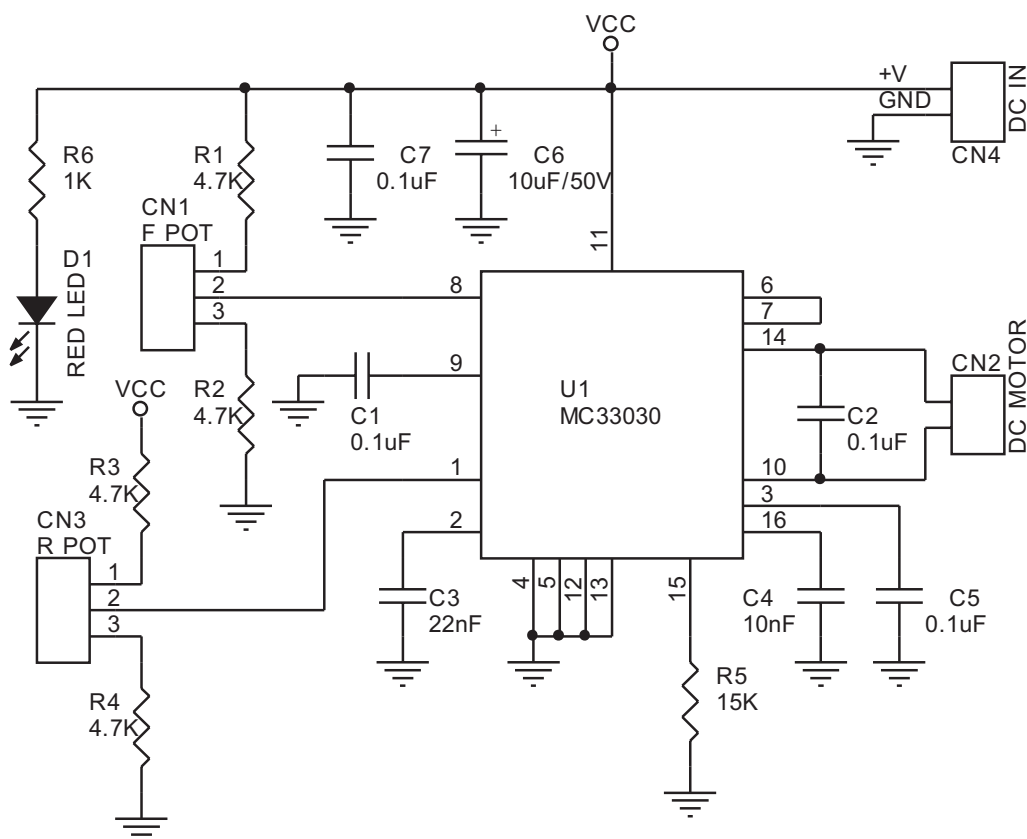
## e-circuits

### DC SERVO MOTOR DRIVER



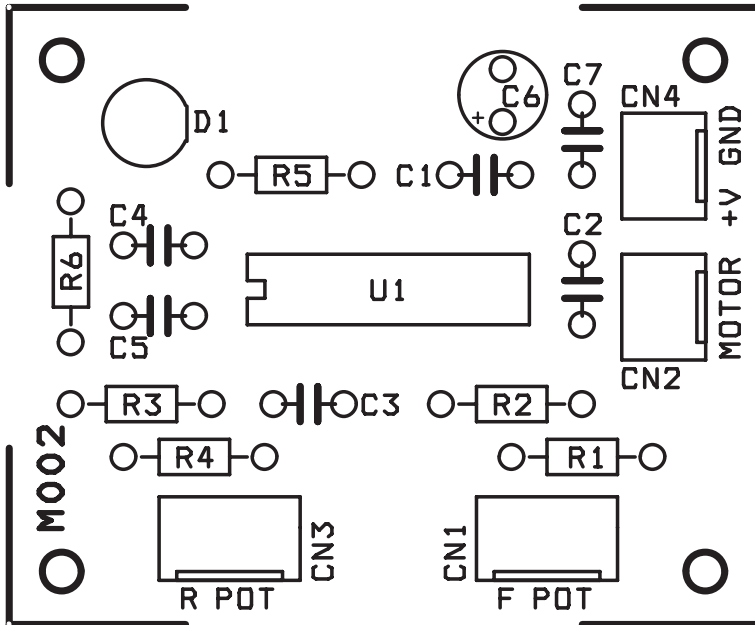
This circuit is ideally suited for any servo positioning application. Circuit designed around MC33030, which is a DC servo controller providing all active functions necessary for a complete closed-loop system.

<b>Supply</b>	<b>12V DC</b>
<b>Motor</b>	<b>12V DC max 1A.</b>
<b>Cn1</b>	<b>Feedback Potentiometer 10K Servo gearbox linkage</b>
<b>Cn2</b>	<b>DC Motor 12V DC, max 1A</b>
<b>Cn3</b>	<b>Reference Potentiometer for position change</b>
<b>Cn4</b>	<b>DC supply 12V DC</b>
<b>D1</b>	<b>Power Indication</b>



# BUILD SMARTER

## e-circuits



SR.	QTY.	REF.	DESCRIPTION
1	1	CN1	3 PIN RELIMATE
2	1	CN2	2 PIN RELIMATE
3	1	CN3	3 PIN RELIMATE
4	1	CN4	2 PIN RELIMATE
5	4	C1,C2,C5,C7	0.1uF
6	1	C3	22nF
7	1	C4	10nF
8	1	C6	10uF/50V
9	1	D1	RED LED
10	4	R1,R2,R3,R4	4.7K
11	1	R5	15K
12	1	R6	330E
13	1	U1	MC33030
14	1	SOCKET	16 PIN DIP IC SOCKET