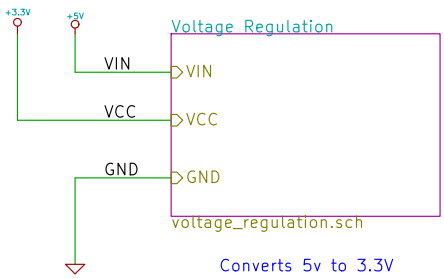
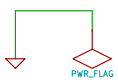
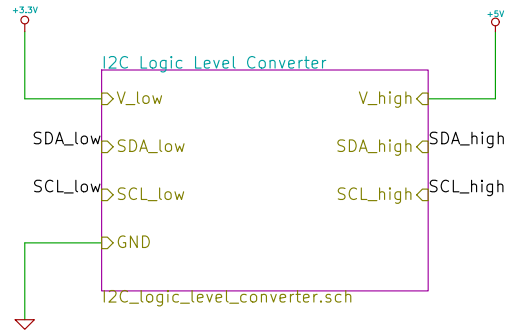


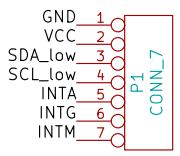
Kicad specific stuff for ERC validation.  
This doesn't correspond to any specific component.



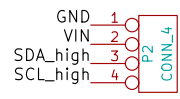
Converts 5v to 3.3V



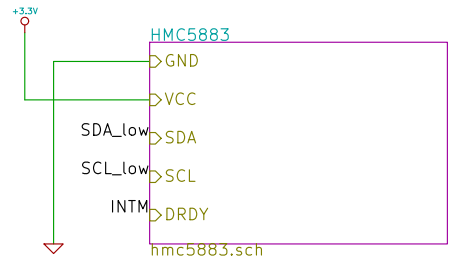
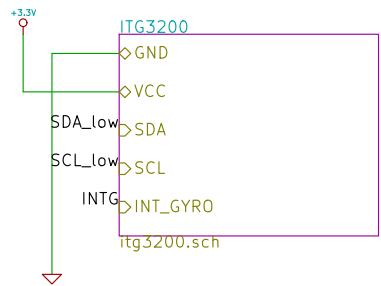
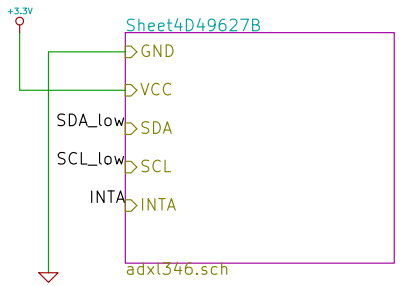
Converts 5v I2C to 3.3V I2C and vice-versa

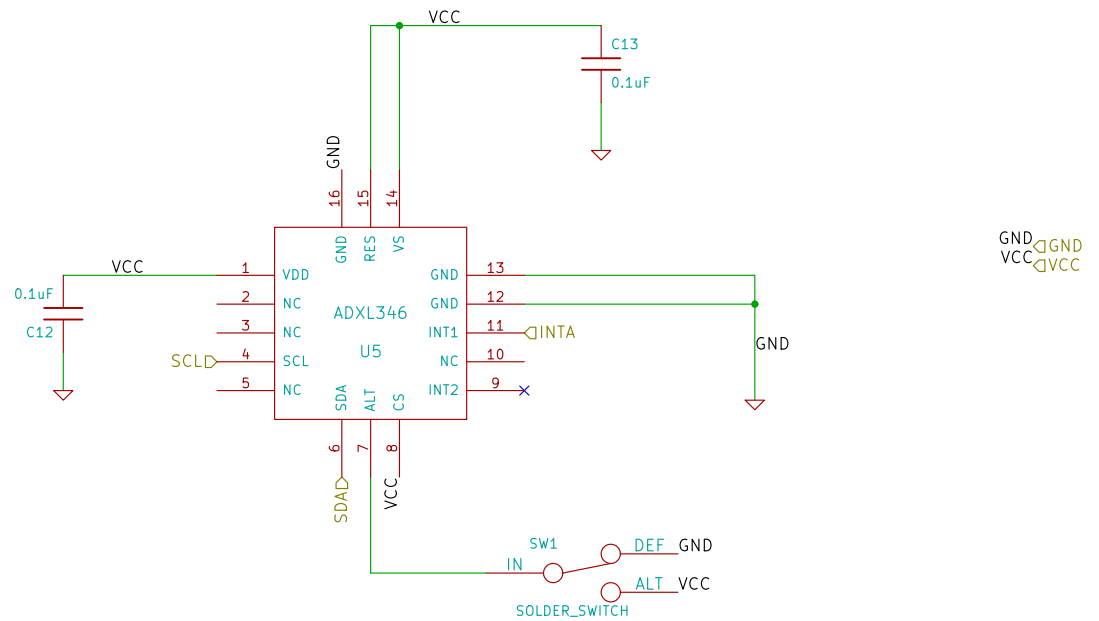


3.3V I2C communication

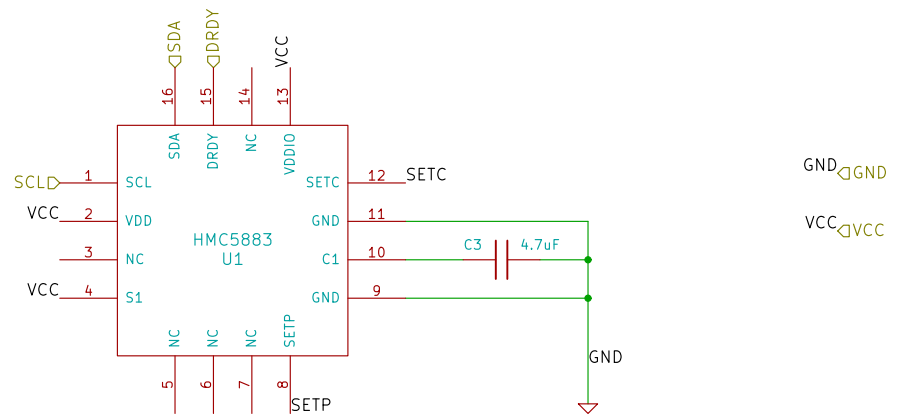
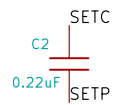
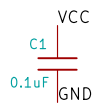


5V I2C communication

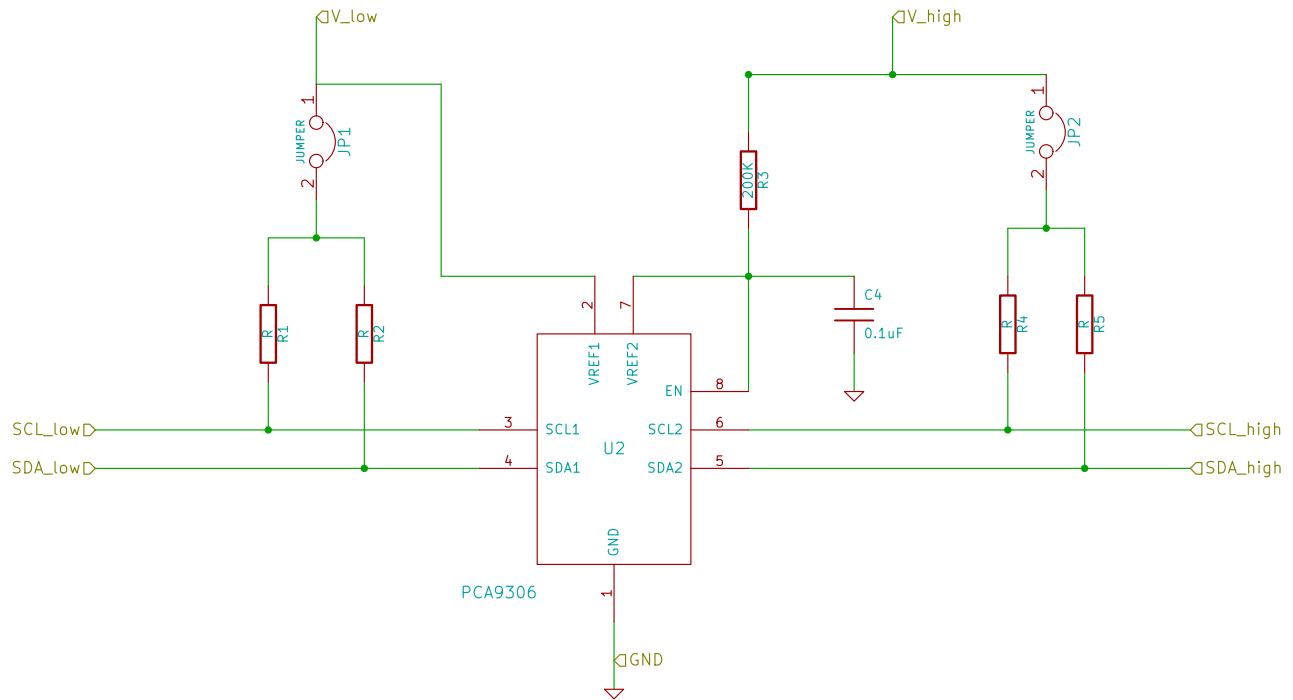




|   |                         |                 |
|---|-------------------------|-----------------|
| Released under CC-BY-SA 3.0 Unported<br><a href="http://creativecommons.org/licenses/by-sa/3.0/">http://creativecommons.org/licenses/by-sa/3.0/</a><br><b>Fabio Varesano - varesano.net</b> |                         |                 |
| File: adxl346.sch<br>Sheet: /Sheet4D49627B/   |                         |                 |
| <b>Title: LibreBB ADXL346</b>   |                         |                 |
| Size: A4  | <b>Date: 2 feb 2011</b> | <b>Rev: 0.1</b> |
| KiCad E.D.A.  |                         | Id: 2/6         |



|   |                  |          |
|---|------------------|----------|
| <a href="http://creativecommons.org/licenses/by-sa/3.0/">http://creativecommons.org/licenses/by-sa/3.0/</a><br>Released under CC-BY-SA 3.0 Unported<br><b>Fabio Varesano - varesano.net</b> |                  |          |
| File: hmc5883.sch<br>Sheet: /HMC5883/   |                  |          |
| <b>Title: FreelMU - factory version</b>   |                  |          |
| Size: A4  | Date: 2 feb 2011 | Rev: 0.3 |
| KiCad E.D.A.  |                  | Id: 3/6  |



<http://creativecommons.org/licenses/by-sa/3.0/>  
 Released under CC-BY-SA 3.0 Unported

**Fabio Varesano - varesano.net**

File: I2C\_logic\_level\_converter.sch  
 Sheet: /I2C Logic Level Converter/

**Title: FreelMU - factory version**

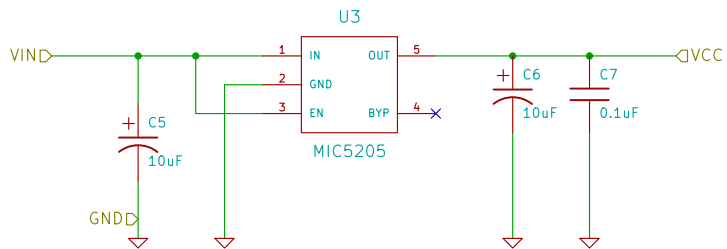
Size: A4

**Date: 2 feb 2011**

**Rev: 0.3**

KiCad E.D.A.

Id: 4/6



<http://creativecommons.org/licenses/by-sa/3.0/>  
 Released under CC-BY-SA 3.0 Unported

**Fabio Varesano - varesano.net**

File: voltage\_regulation.sch

Sheet: /Voltage Regulation/

**Title: Freemu - factory version**

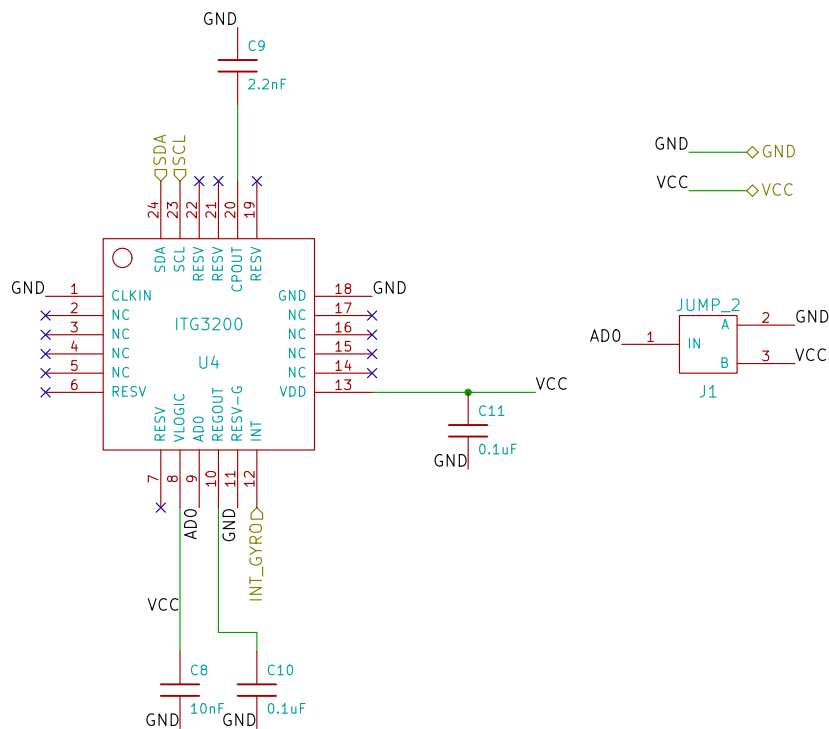
Size: A4

**Date: 2 feb 2011**

**Rev: 0.3**

KiCad E.D.A.

Id: 5/6



<http://creativecommons.org/licenses/by-sa/3.0/>

Released under CC-BY-SA 3.0 Unported

**Fabio Varesano - varesano.net**

File: itg3200.sch

Sheet: /ITG3200/

**Title: Freemu - factory version**

Size: A4

**Date: 2 feb 2011**

**Rev: 0.3**

KiCad E.D.A.

Id: 6/6