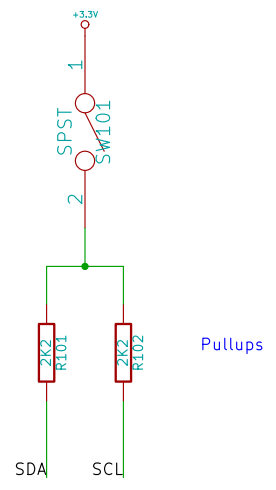
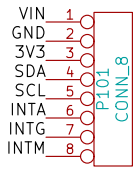
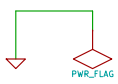
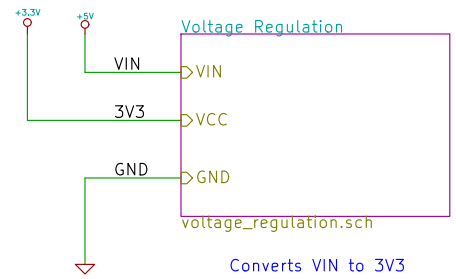


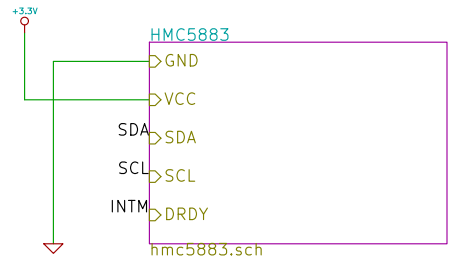
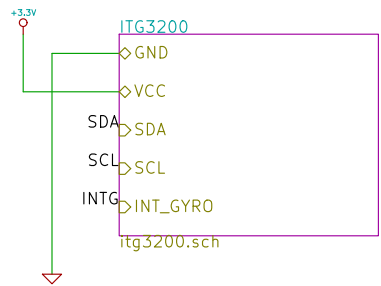
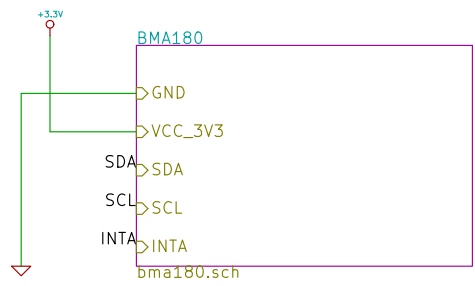
Kicad specific stuff for ERC validation.
This doesn't correspond to any specific component.

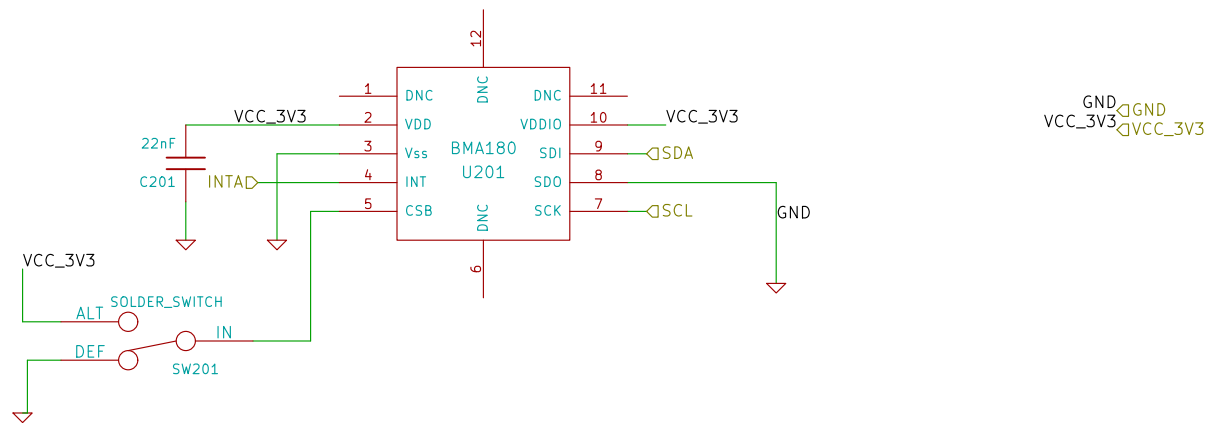


Pullups

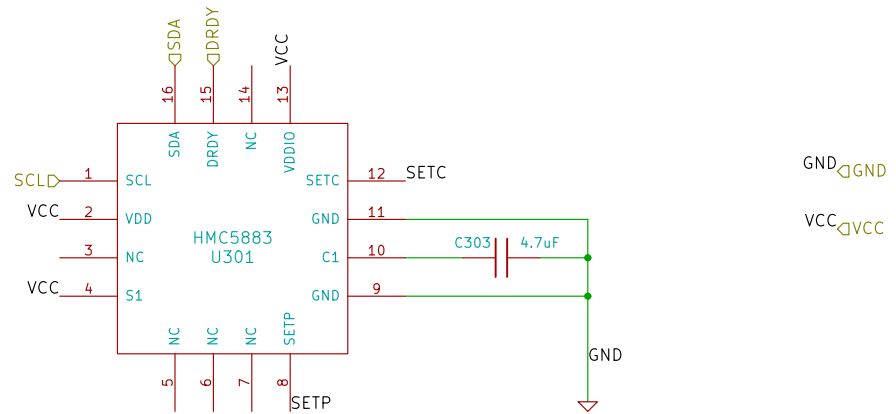


Converts VIN to 3V3





| | | |
|---|-------------------------|-----------------|
| Released under CC-BY-SA 3.0 Unported http://creativecommons.org/licenses/by-sa/3.0/ Fabio Varesano - varesano.net | | |
| File: bma180.sch Sheet: /BMA180/ | | |
| Title: LibreBB ADXL346 | | |
| Size: A4 | Date: 9 jun 2011 | Rev: 0.1 |
| KiCad E.D.A. | | Id: 2/5 |



<http://creativecommons.org/licenses/by-sa/3.0/>
Released under CC-BY-SA 3.0 Unported

Fabio Varesano - varesano.net

File: hmc5883.sch

Sheet: /HMC5883/

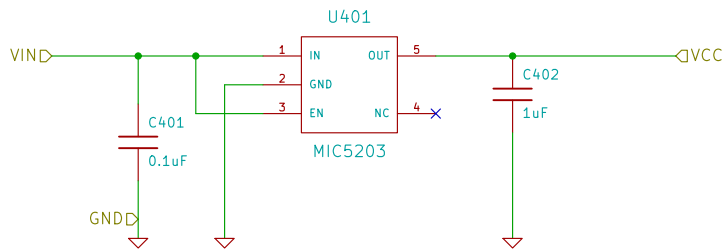
Title: FreelMU - factory version

Size: A4 **Date: 9 jun 2011**

Rev: 0.3

KiCad E.D.A.

Id: 3/5



Released under CC-BY-SA 3.0 Unported
<http://creativecommons.org/licenses/by-sa/3.0/>

Fabio Varesano - varesano.net

File: voltage_regulation.sch

Sheet: /Voltage Regulation/

Title: FreeIMU

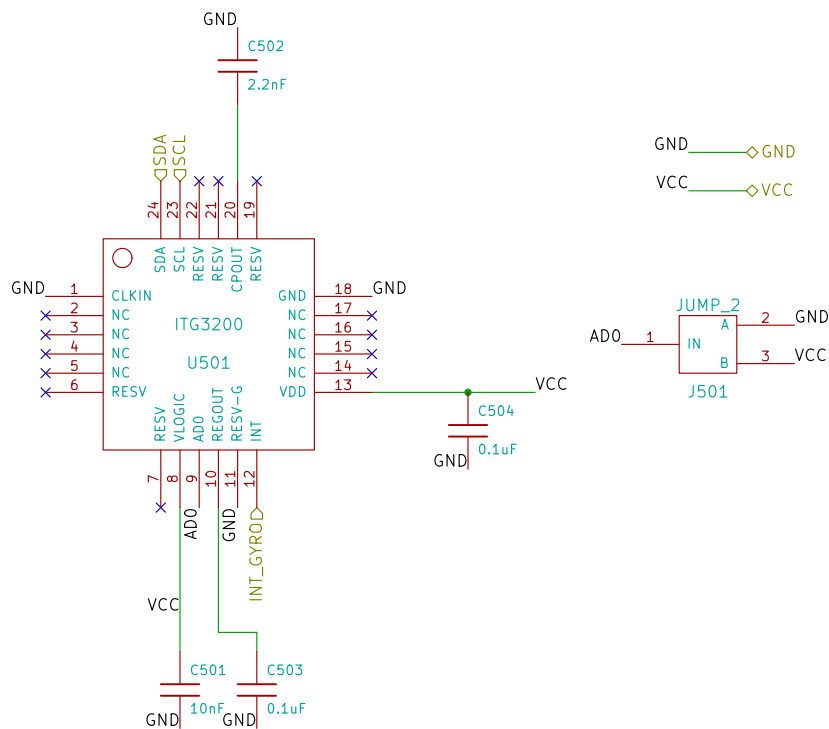
Size: A4

Date: 9 jun 2011

Rev: 0.4

KiCad E.D.A.

Id: 4/5



<http://creativecommons.org/licenses/by-sa/3.0/>

Released under CC-BY-SA 3.0 Unported

Fabio Varesano - varesano.net

File: itg3200.sch

Sheet: /ITG3200/

Title: Freemu - factory version

Size: A4

Date: 9 jun 2011

Rev: 0.3

KiCad E.D.A.

Id: 5/5