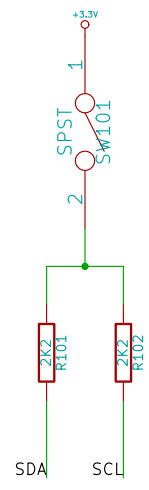
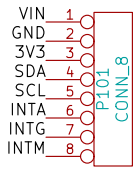
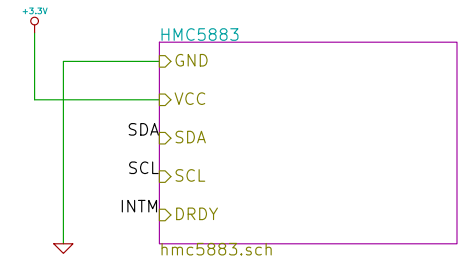
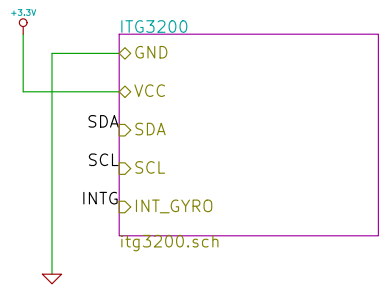
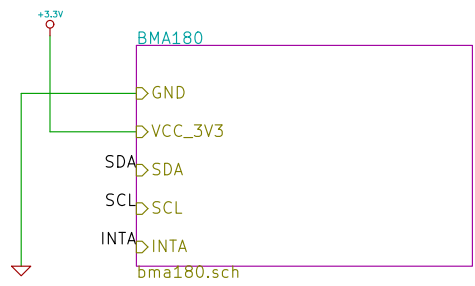
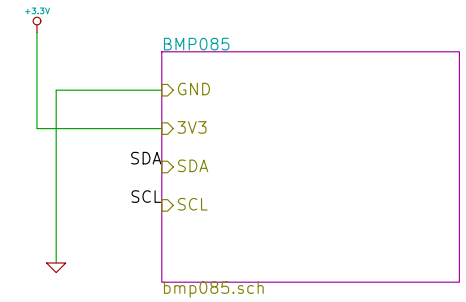
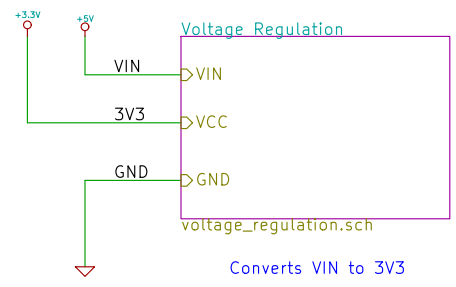


Kicad specific stuff for ERC validation.
This doesn't correspond to any specific component.



Pullups



Released under CC-BY-SA 3.0 Unported
<http://creativecommons.org/licenses/by-sa/3.0/>

Fabio Varesano - varesano.net

File: FreeIMU_factory.sch

Sheet: /

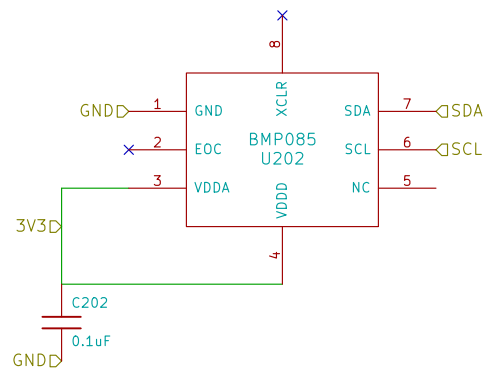
Title: FreeIMU

Size: A4 **Date: 20 jul 2011**

KiCad E.D.A.

Rev: 0.3.5_M

Id: 1/6



File: bmp085.sch
 Sheet: /BMP085/

Title:

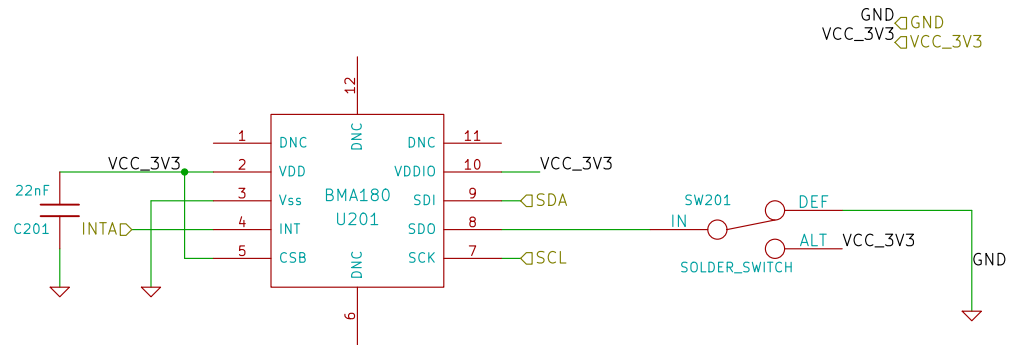
Size: A4

Date: 20 jul 2011

KiCad E.D.A.

Rev:

Id: 2/6



Released under CC-BY-SA 3.0 Unported
<http://creativecommons.org/licenses/by-sa/3.0/>
Fabio Varesano - varesano.net

File: bma180.sch
 Sheet: /BMA180/

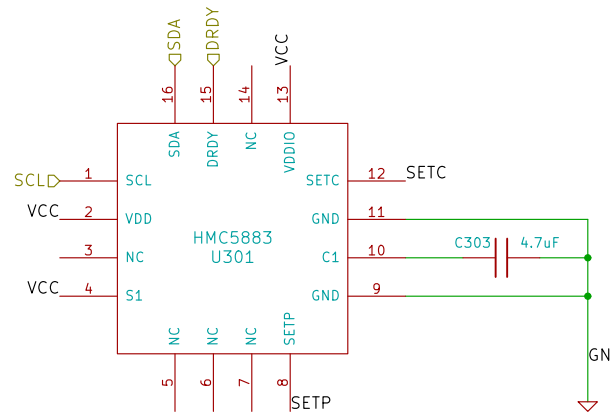
Title: FreelMU

Size: A4 **Date: 20 jul 2011**

KiCad E.D.A.

Rev: 0.3.5_M

Id: 3/6



Released under CC-BY-SA 3.0 Unported
<http://creativecommons.org/licenses/by-sa/3.0/>
Fabio Varesano - varesano.net
 File: hmc5883.sch
 Sheet: /HMC5883/

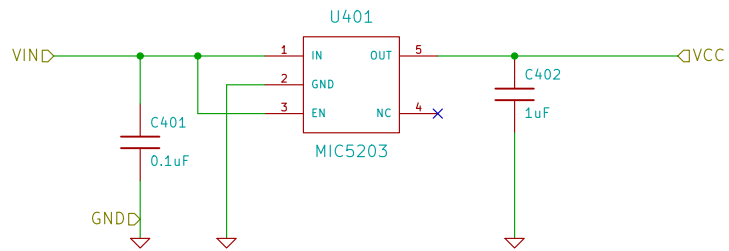
Title: FreelMU

Size: A4 **Date: 20 jul 2011**

KiCad E.D.A.

Rev: 0.3.5_M

Id: 4/6



Released under CC-BY-SA 3.0 Unported
<http://creativecommons.org/licenses/by-sa/3.0/>

Fabio Varesano - varesano.net

File: voltage_regulation.sch

Sheet: /Voltage Regulation/

Title: FreeIMU

Size: A4

Date: 20 jul 2011

Rev: 0.3.5_M

KiCad E.D.A.

Id: 5/6

